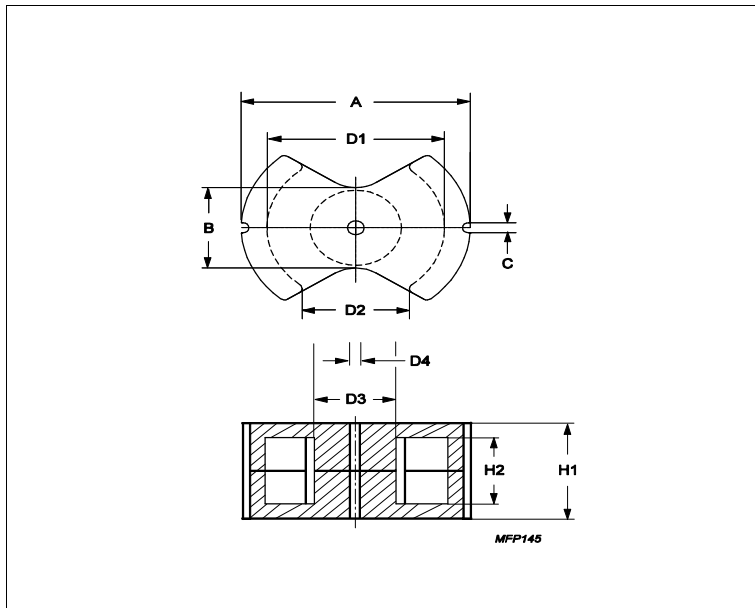


Core **PM74/59**



Effective parameters				
	Parameter	Value	Unit	
	$\Sigma(I/A)$	core factor (C1)	0.162	mm ⁻¹
	Ve	effective volume	101000	mm ³
	Le	effective length	128	mm
	Ae	effective area	790	mm ²
	Amin	minimum area	630	mm ²
	m	PM74/59	≈ 460	g/set

Dimensions for product: PM74/59						
	Nom	Tol +	Tol -	Max	Min	Unit
A	74.00	0.00	2.50	74.00	71.50	mm
B				32.40		mm
C	4.00	0.40	0.00	4.40	4.00	mm
D1	57.50	1.80	0.00	59.30	57.50	mm
D2					34.00	mm
D3	29.50	0.00	1.00	29.50	28.50	mm
D4	5.40	0.30	0.00	5.70	5.40	mm
H1	59.00	0.00	0.60	59.00	58.40	mm
H2	40.70	0.80	0.00	41.50	40.70	mm

Inductance factor				
Material	Value	Tol +	Tol -	Unit
3C94	14000	25%	25%	nH/turns ²

Power loss: 3C94				
Measuring conditions			Max	Unit
100 kHz	200 mT	100 °C	62.000	W/set

Bsat					
Measuring conditions			Material	Min	Unit
25 kHz	250 A/m	100 °C	3C94	320	mT