

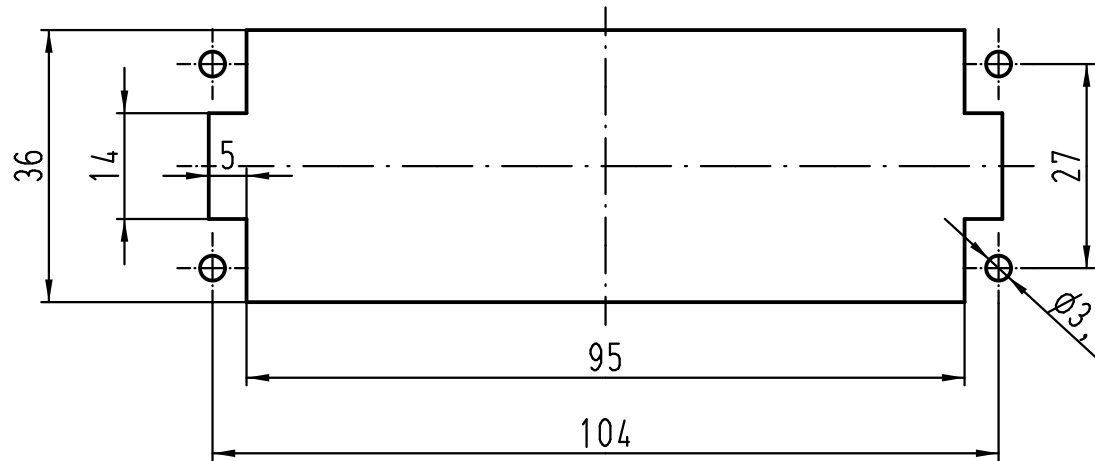
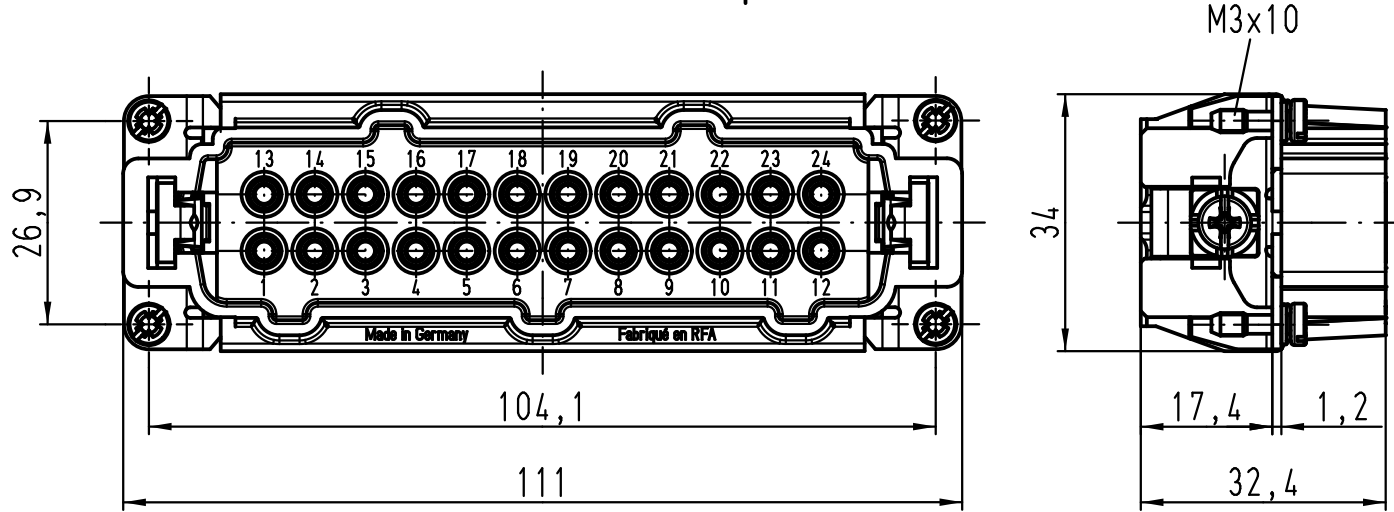
1 2 3 4 5 6

A

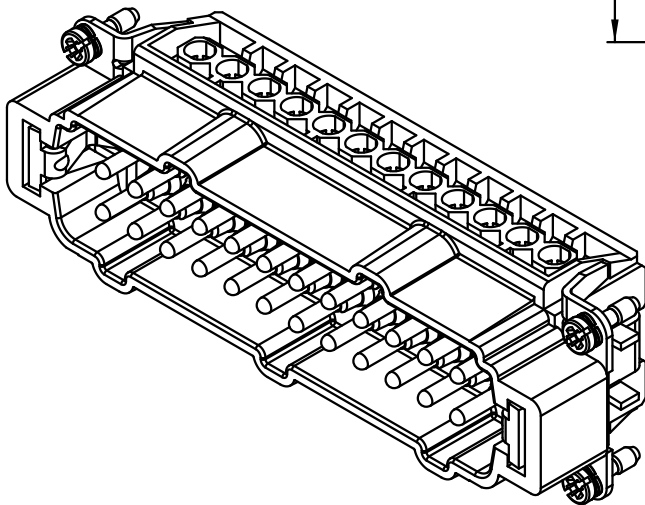
B

C

D



Montageausschnitt  
panel cut out



|      |                                               |      |  |                                                     |          |                                           |                                    |
|------|-----------------------------------------------|------|--|-----------------------------------------------------|----------|-------------------------------------------|------------------------------------|
|      | All Dimensions in mm<br>Original Size DIN A 4 |      |  | Techn. Character.                                   |          | Nicht tolerierte Maß/Free size tolerances |                                    |
|      |                                               |      |  | Dat.                                                | Name     | Maßstab/Scale                             |                                    |
|      |                                               |      |  | Detail.                                             | 02.09.11 | Spr                                       | 1:1                                |
|      |                                               |      |  | Insp.                                               |          | Tie                                       |                                    |
|      |                                               |      |  | Stand.                                              |          |                                           |                                    |
| A    |                                               |      |  | HARTING Electric GmbH & Co. KG<br>D-32339 Espelkamp |          |                                           | TB 09 33 024 2601                  |
| Mod. | Dat.                                          | Name |  |                                                     |          |                                           | Sub. TB 09 33 024 2601 v. 09.04.98 |
|      |                                               |      |  |                                                     |          |                                           | Blatt/ page                        |